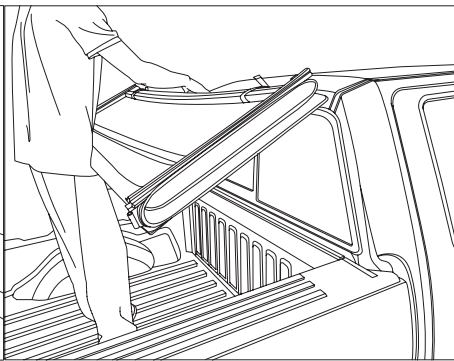
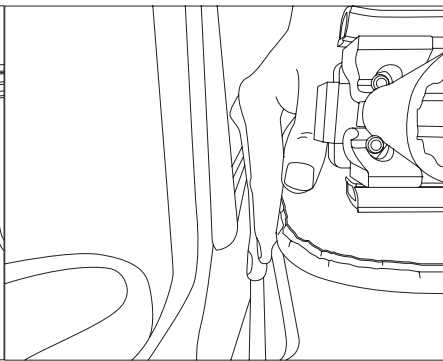


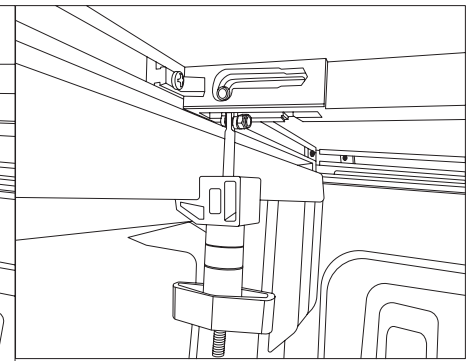
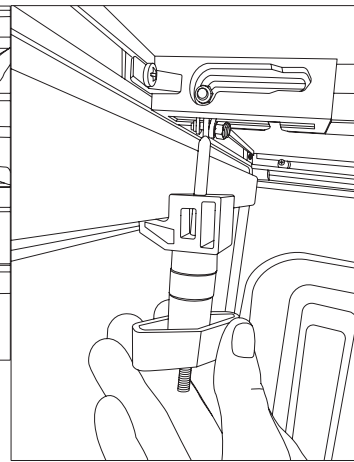
Install the foam on the front of the bed



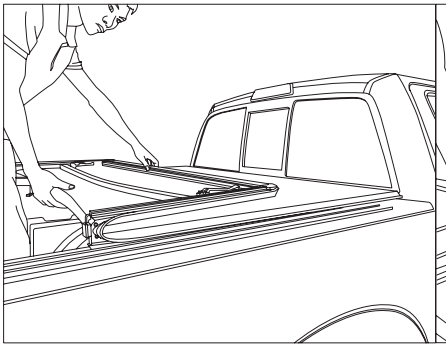
Put the cover on the bed



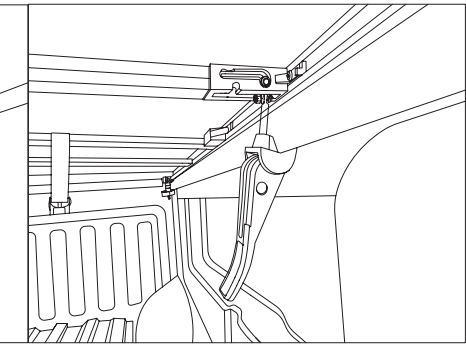
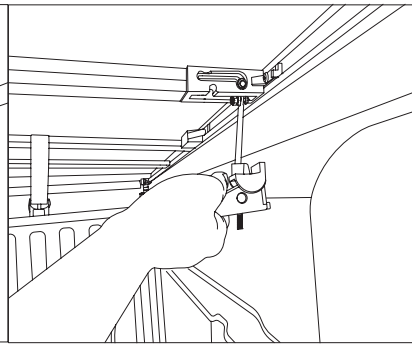
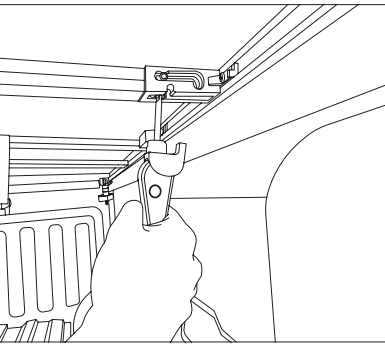
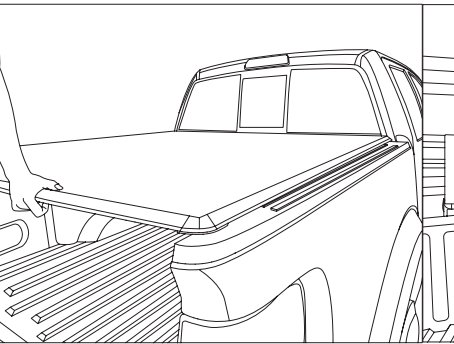
Adjust the front of the cover to the bed front edge alignment



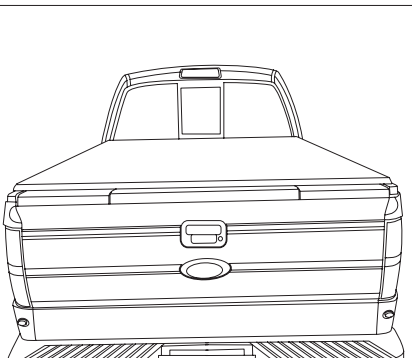
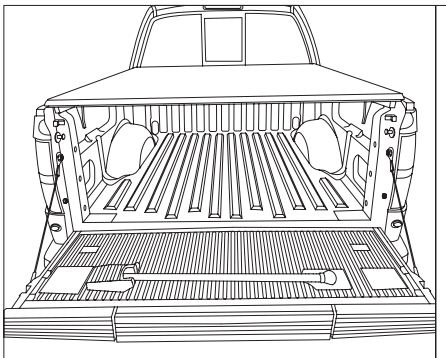
Tighten the front knob



Open the cover



Put down the handle, adjust the appropriate position, and fix the handle to the side of the bed



The installation is complete. This is what it looks like with the tailgate open and closed

IMPORTANT NOTICE

While driving, the cover must be completely flat and secure with all latches closed. DO NOT DRIVE with the cover partially opened.



WARNING

Tighten clamps securely on side rails before driving vehicle, to prevent cover from blowing off.

SOFT TRIFOLD TONNEAU COVER



Any components missing or damaged?

We're here to help!

Please reach out to our customer service team:

By Phone: 1 (855) 678-3269 / 1 (855) 67 TEAMZ

By Email: service@teamzauto.ca

1100 Invicta Dr Unit 8, Oakville, ON L6H 2K9